

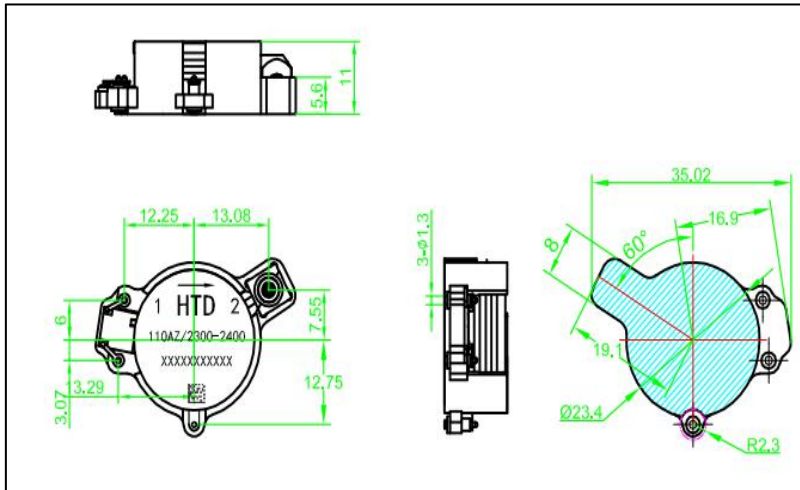
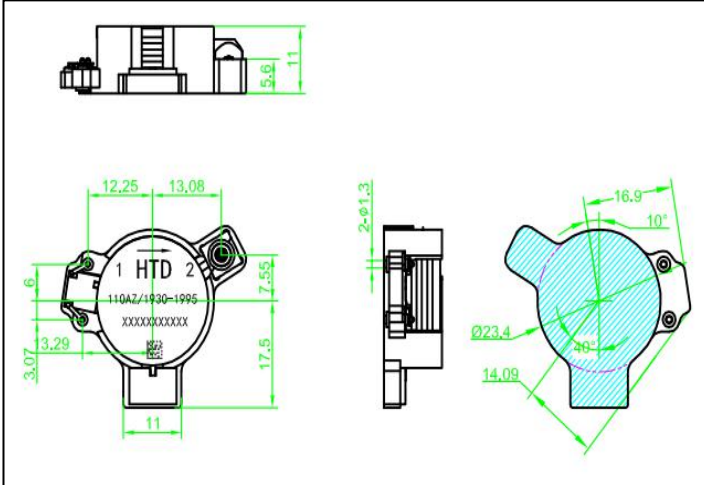
# SMD Isolator 表贴式隔离器

## 110A Series

### 1.Features 产品特点

- UMTS, LTE Band
- PCB Soldering Re-flow
- Wide Operation Temperature Range -45 ~ 125°C
- Compact Package Design for PCB Applications

### 2.Dimensions 尺寸展示



Unit:mm

### 3.Specifications 规格参数

Part No.	Frequency (GHz)		Center Frequency	Bandwidth	Isolation	INS LOSS	Return Loss	Power	IMD (@2X50W)
	F1	F2	(GHz)	(GHz)	(dB) MIN	(dB) MAX	(dB) MIN	(W)	(-dBc) MAX
HYG110AZ100/791-	791	821	806	30	22	0.25	23	80	-65
HYG110AZ100/925-	925	960	943	35	22	0.25	23	80	-69
HYG110AZ100/1805-	1805	1880	1843	75	22	0.20	23	80	-69
HYG110AZ100/1930-	1930	2020	1975	90	22	0.20	23	80	-69
HYG110AZ100/2110-	2110	2200	2155	90	22	0.20	23	80	-69
HYG110AZ100/2620-	2620	2690	2655	70	22	0.20	23	80	-69
<b>HYH110AZ100/2300-</b>	<b>2300</b>	<b>2400</b>	<b>2350</b>	<b>100</b>	<b>22</b>	<b>0.25</b>	<b>23</b>	<b>80</b>	<b>-69</b>
<b>HYH110AZ100/2496-</b>	<b>2496</b>	<b>2690</b>	<b>2593</b>	<b>194</b>	<b>22</b>	<b>0.25</b>	<b>23</b>	<b>80</b>	<b>-69</b>