

# SMD Circulator 表贴式环形器

## H103C Series

### 1.Features 产品特点

UMTS, LTE Band

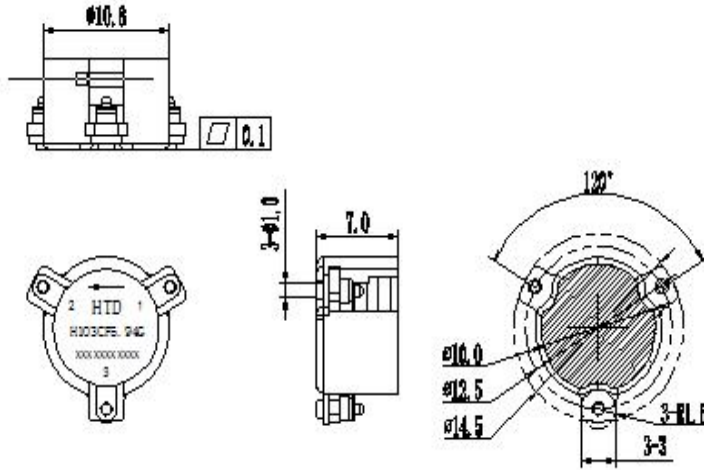
PCB Soldering Re-flow

Wide Operation Temperature Range -45 ~ 125°C

Compact Package Design for PCB Applications

### 2.Dimensions 尺寸展示

Unit:mm



### 3.Specifications 规格参数

Part No.	Frequency (GHz)		Center Frequency (GHz)	Bandwidth (GHz)	Isolation (dB) MIN	INS LOSS (dB) MAX	VSWR (dB) MAX	Power (W)	IMD (@2X43dBm) (-dBc) MAX
	F1	F2							
H103CZ2.2G	2.250	2.280	2.2650	0.030	23	0.25	1.15	50	-62
H103CZ2.3G	2.300	2.400	2.3500	0.100	20	0.3	1.17	50	-60
H103CZ2.3A	2.260	2.440	2.3500	0.180	25	0.3	1.11	50	-68
H103CZ2.6G	2.545	2.665	2.6050	0.120	25	0.25	1.12	50	-60
H103CZ2.6B	2.545	2.665	2.6050	0.120	27	0.3	1.12	50	-68
H103CZ2.6C	2.486	2.700	2.5930	0.214	22	0.3	1.17	50	-60
H103CZ3.5G	3.400	3.600	3.5000	0.200	22	0.3	1.17	50	-60
H103CZ3.6G	3.400	3.800	3.6000	0.400	20	0.3	1.22	50	-60
H103CZ4.5G	4.400	5.000	4.7000	0.600	22	0.35	1.17	50	-60
H103CZ4.7G	4.400	5.000	4.7000	0.600	20	0.4	1.17	50	-60
H103CZ5.5G-A	5.150	5.925	5.5375	0.775	22	0.35	1.17	50	-60
H103CZ5.94G	5.925	5.950	5.9375	0.025	22	0.3	1.17	50	-60
H103CZ6.05G	6.025	6.080	6.0525	0.055	22	0.3	1.17	50	-60